

JK-T1377

零件样本

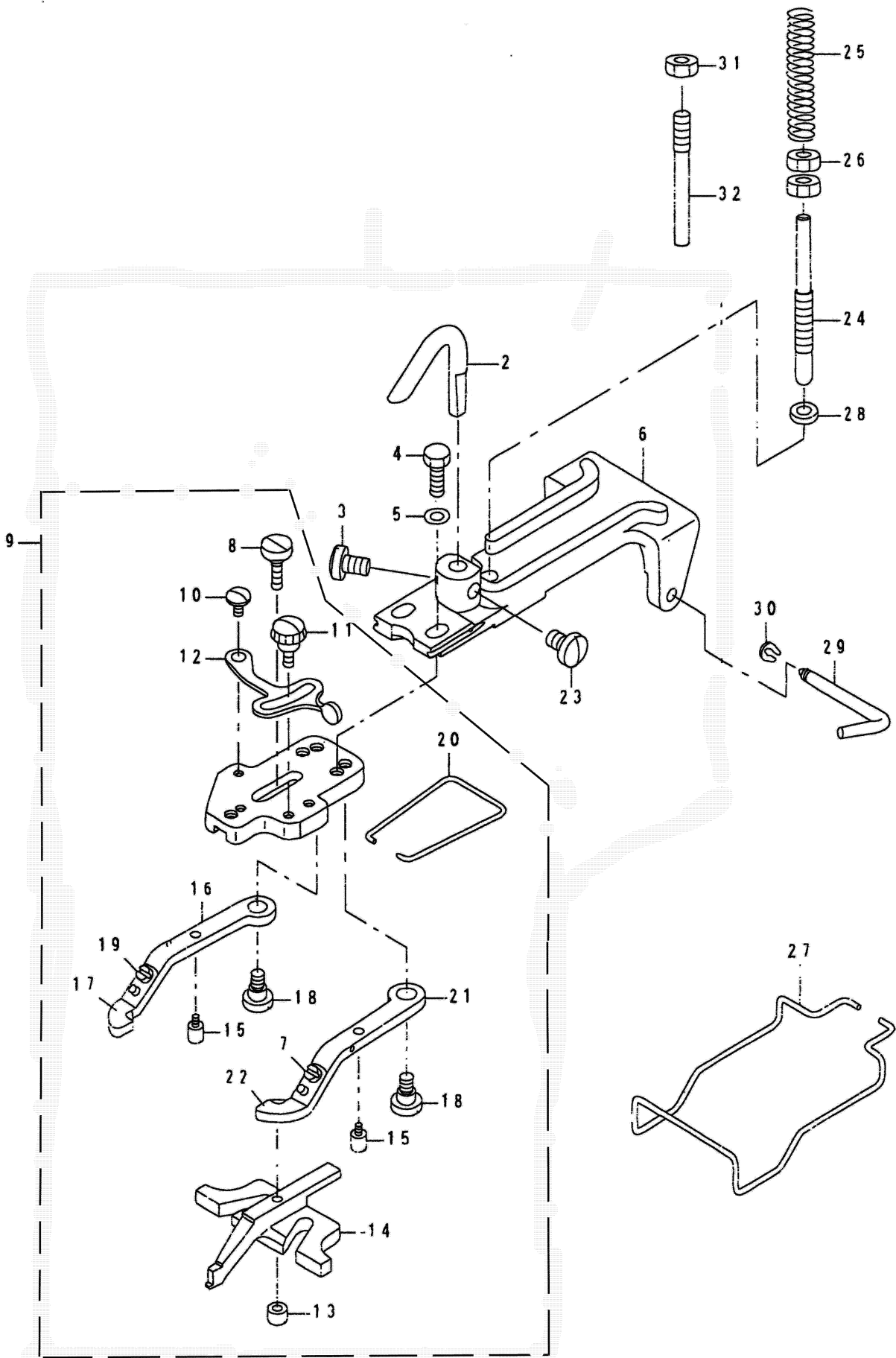
PARTS BOOK

**New JACK Sewing
Machine**

2013 年 4 月版

Revised edition in April, 2013

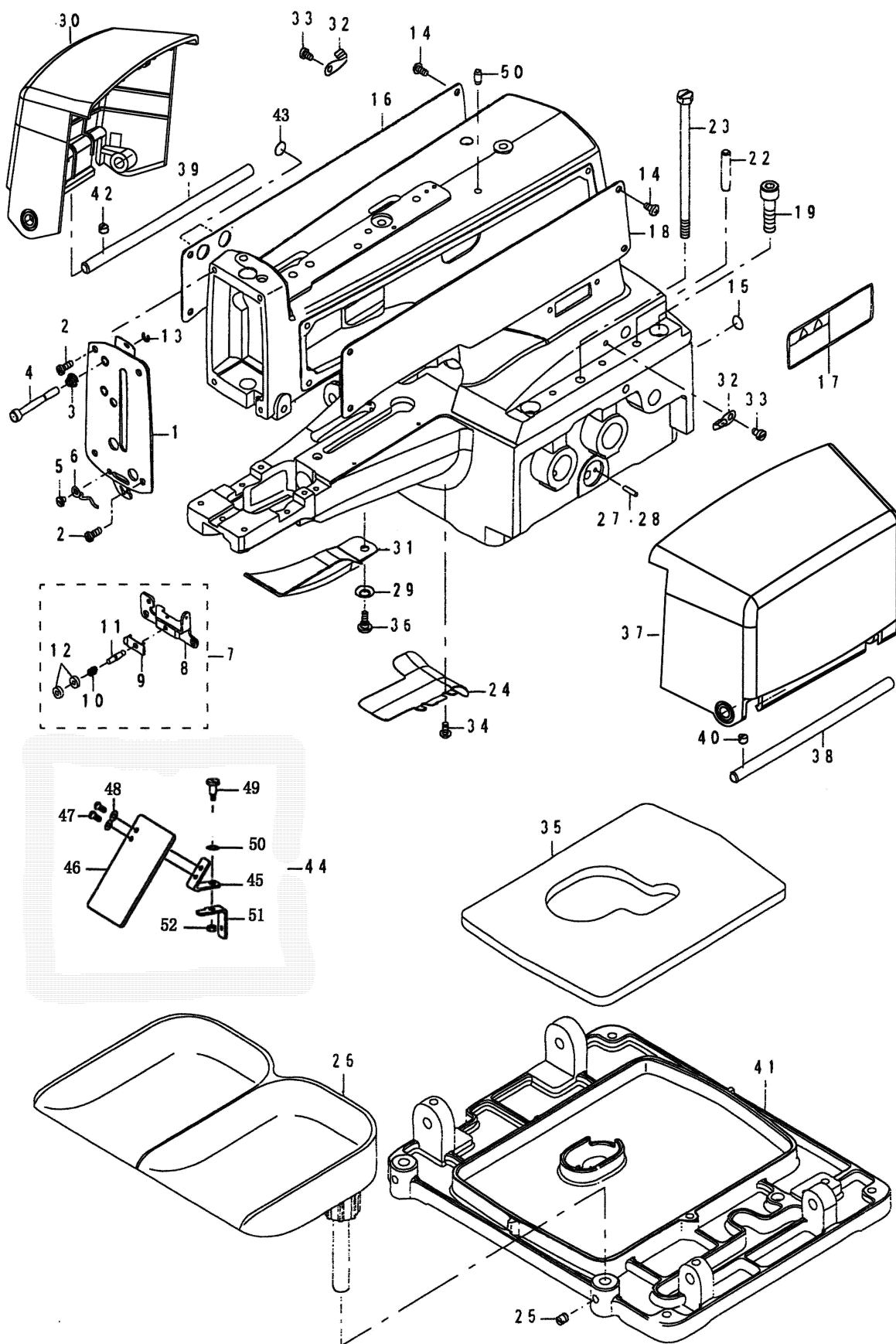
1. 钮钳机构部件 BUTTON CLAMP MECHANISM COMPONENTS



第一部件 钮夹部件

序号	零件件号	名称	数量	同类编号	DESCRIPTION
1	××××	拾压脚组件	1	26026856	PICK-UP DEVICE ASM.
2	40902001	钮夹挂钩	1	40041058	BUTTON CLAMP LIFTING HOOK
3	402S14006	螺钉	1	SS7150940SP	SCREW 15/64-28 L=9
4	409S12001	螺钉	2	SS9621413SP	SCREW 3/16-32 L=13.5
5	40928001	垫圈	2	WP0501016SD	WASHER 5×10.5×1
6	300145	钮夹座	1	26025502	BUTTON CLAMP HOULDER
7	409S11002	螺钉	1	SS7090410SP	SCREW 9/64-40 L=3.5
8	409S20001	轴位螺钉	1	SD0550301SP	HINGE SCREW D=5.5 H=3
9	4091200100	钮夹组件	1	26025403	JAW LEVER HOLDER
10	409S20002	轴位螺钉	1	SD0550181SP	HINGE SCREW D=5.5 H=1.8
11	409S20003	钮夹螺钉	1	26025809	CLAMP SCREW A
12	40912003	钮夹止动杆	1	26025700	SNAP FASTENER CLAMP STOP LEVER
13	409S16001	螺母	1	26026005	NUT
14	40901003	钮夹滑块	1	26025908	BUTTON CLAMP SLIDE
15	409S20004	钮夹止动销	2	26026609	BUTTON CLAMP STOP PIN
16	40912005	左钮夹钳夹	1	26026104	BUTTON CLAMP LEVER JAW (LEFT)
17	40912006	钮扣左弹簧压板	1	26026203	BUTTON HOLDING SPRING LEFT
18	409S20005	轴位螺钉	2	SD0640391TP	HINGE SCREW D=6.35 H=3.9
19	409S11002	螺钉	1	SS7090410SP	SCREW 9/64-40 L=3.5
20	40927001	钮夹弹簧	1	26026708	BUTTON CLAMP SPRING
21	40912008	右钮夹钳夹	1	26026302	BUTTON CLAMP LEVER JAW RIGHT
22	40912009	钮夹右弹簧压板	1	26026401	BUTTON HOLDING SPRING RIGHT
23	402S14006	螺钉	1	SS7150940SP	SCREW 15/64-28 L=9
24	409S30016	钮夹压力调节杆	1	40040938	BUTTON CLAMP PRESSUER ADJUSTIN
25	40927002	钮夹压力弹簧	1	26027102	PRESSUER ADJUSTING SPRING
26	409S16003	螺母	2	NM6060001CP	NUT M6
27	40927003	护手架	1	26027409	FINGER GUARD
28	40909019	弹簧固定座	1	40041069	SPRING HOLDING PLATE
29	40902002	插销	1	26025205	HINGE PIN
30	H05007	卡簧	1	B2541372000	SNAP PIN
31	401S16002	螺母	1	NM6060001CP	NUT M6
32	409S30001	拾压脚止动杆	1	40040937	PICK-UP DEVICE STOPPER PIN

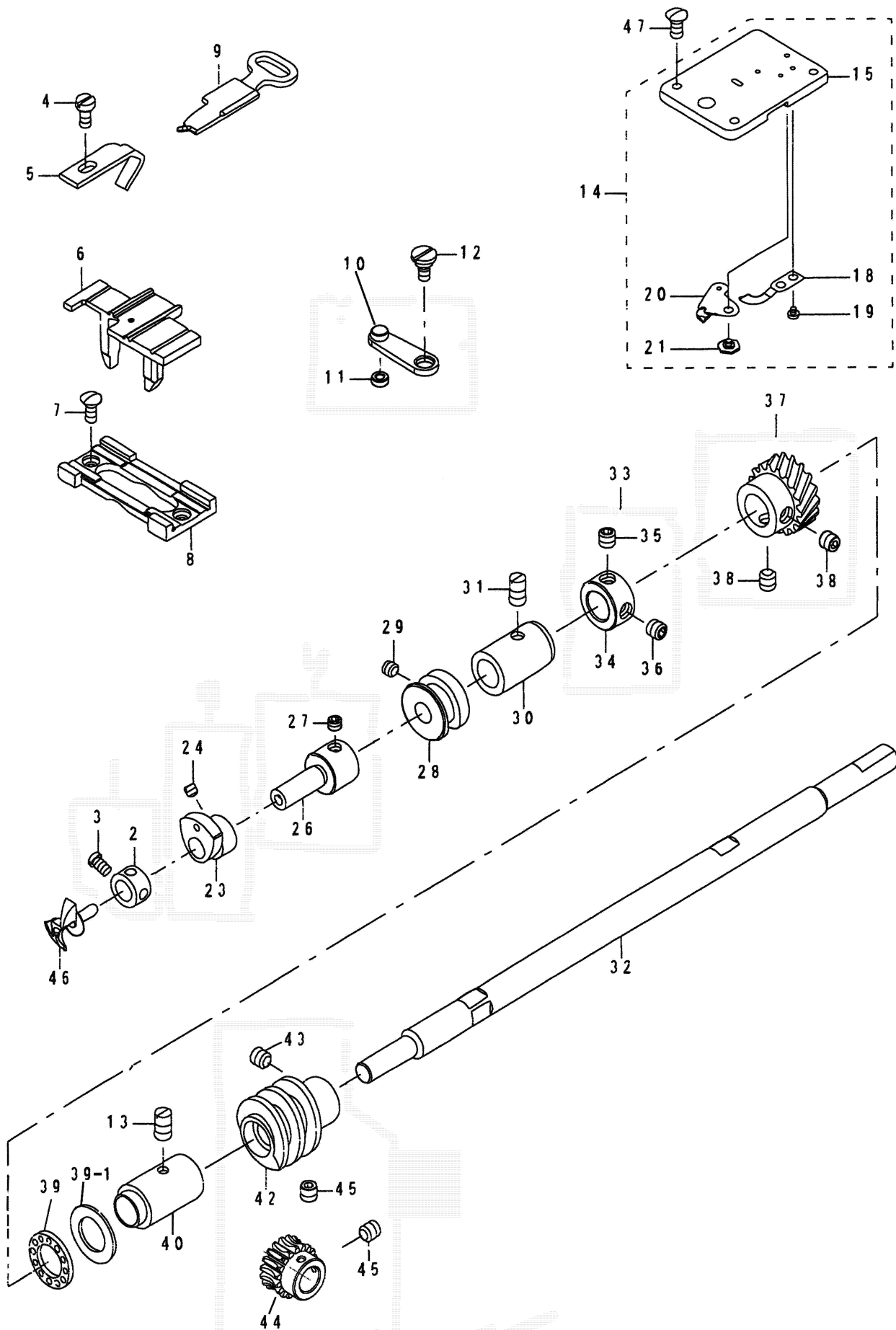
2. 机壳部件 ARM & MISCELLANEOUS COVERS COMPONENTS



第二部件 机壳部件

序号	零件件号	名称	数量	同类编号	DESCRIPTION
1	4091206200	面板盖组件	1	-----	FACE PLATE COMPL
2	406S11009	螺钉	4	SM4040855SP	SCREW
3	40927004	张紧弹簧	1	26021600	TENSION SPRING
4	40902003	松线杆	1	26032003	NIPPER RELEASING STOP
5	409S11003	螺钉	1	SM6040650TP	SCREW
6	40913002	4号过线	1	26031203	THREAD GUIDE NO. 4
7	4091301400	3号线张力器组件	1	26031351	THREAD TENSION NO. 3 ASM.
8	40913015	3号线张力调节座	1	26031302	TENSION ADJUSTING BASE NO. 3
9	40913016	线张力盘	1	26031401	THREAD PRESSER PLATE
10	40927020	弹簧	1	26031500	TENSION SPRING B
11	409S30017	线张力器螺栓	1	26031609	THREAD TENSION STUD
12	409S16026	张力调节螺母	2	26031708	THREAD TENSION NUT
13	H05002	E型卡簧	1	RE0320000K0	E-RING 3.2
14	406S11009	螺钉	8	SM4040855SP	SCREW
15	40122015	橡皮塞	1	-----	RUBBER PLUG
16	301805	左盖板	1	-----	SIDE COVER RIGHT
17	40937008	安全标签	1	CM301300001	SAFETY LABEL
18	301807	右盖板	1	-----	SIDE COVER LEFT
19	S05024	拼装螺钉	4	SM6083042CH	SCREW M8 L=30
22	P02010	定位销	2	26033704	GUIDE PIN
23	409S30018	连接螺栓	1	SM6050800SP	SET SCREW
24	40912080	防油底板	1	26011205	BED OIL SHELDE
25	403S14004	螺钉	1	-----	SCREW
26	4091100100	钮扣盘	1	1780-48458	BUTTON TRAY ASM
27	40926002	凸轮指示销	1	SM80600610TP	CAM INDICATING PIN A
28	40926002	凸轮指示销	1	40041022	CAM INDICATING PIN B
29	40228001	弹性垫圈	1	26022608	SPRING WASHER 6.5×14.0×17
30	40911007	左侧盖	1	-----	SIDE COVER LEFT
31	40912081	底座活动盖	1	WS0650389KP	LOOPER COVER
32	40912067	侧盖弹簧片	2	40038425	SIDE COVER SPRING
33	409S11006	螺钉	2	40038430	SCREW M4 L=6
34	409S11007	螺钉	2	40041067	SCREW
35	40923013	滴油毡	1	SM6040600SP	OIL DRIP FELT
36	409S20006	螺钉	1	SM4040855SP	SHOULDER SCREW D=6 H=2.7
37	40911008	右侧盖	1	-----	SIDE COVER RIGHT
38	40902020	右侧盖轴	2	SD600277TP	SIDE COVER HINGE SHAFT RIGHT
39	40902019	左侧盖轴	1	40038424	SIDE COVER HINGE SHAFT LEFT
40	403S14004	螺钉	1	-----	SCREW M6 L=6
41	40901019	油盘	1	40040935	MACHINE SUB BASE
42	402S14006	螺钉	1	SM8060612TP	SCREW M6 L=6
43	40122017	橡皮塞	1	-----	RUBBER PLUG
44	××××	安全板组件	1	SM8060612TP	SAFETY PLATE
45	40112008	安全板支架	2	-----	SAFETY PLATE
46	40911006	安全板	2	26037200	SAFETY PLATE
47	409S11008	螺钉	2	SM4040655SP	SCREW M4 L=6
48	40928002	垫圈	1	WPO430800SD	SPRING WASHER 5.0×110
49	402S20032	轴位螺钉	1	TA1250406R0	HINGE SCREW D=6 H=2.5
50	40128001	波形垫圈	1	PS0500102KH	SPRING
51	40912020	安全板安装座	1	-----	SAFETY PLATE INSTALLING BASE
52	401S16004	螺母	1	-----	NUT SM15/64-28

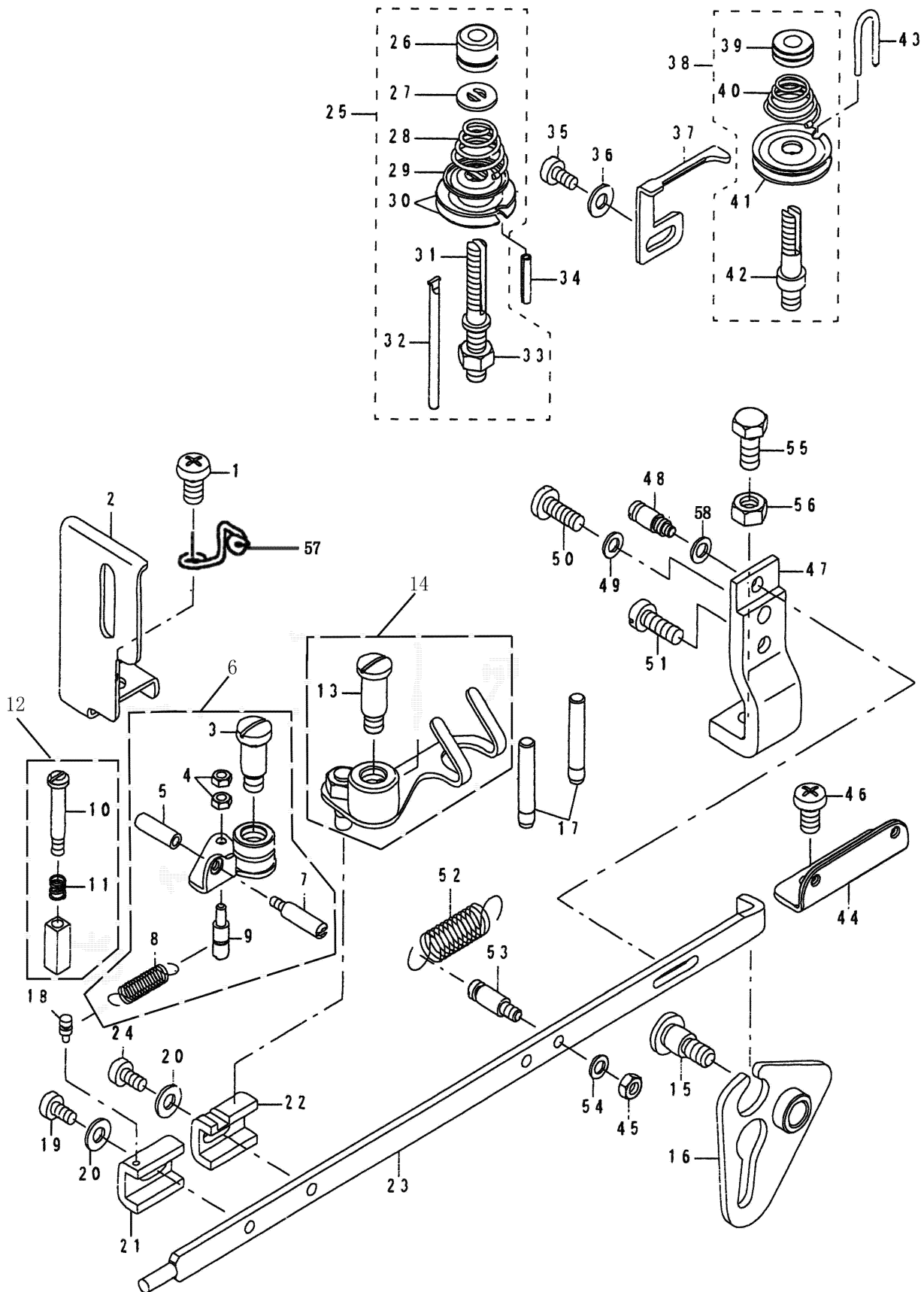
3. 下轴部件 LOOPER SHAFT MECHANISM COMPONENTS



第三部件 钩线轴部件

序号	零件号	名称	数量	同类编号	DESCRIPTION
1	××××	挡圈组件	1	CS079072ATH	THRUST COLLAR .ASM
2	40908002	挡圈	1	CS0790721TH	THRUST COLLAR D=7.94 W=7
3	409S11012	螺钉	1	SS7090620TP	SCREW 9/64-40 L=6.1
4	409S11010	螺钉	1	SM6040800SP	SCREW
5	40912021	护针	1	B1242-373-00	NEEDLE GUARD
6	40909001	分线器架	1	26013607	POSITONGNING FINGER YOKE SLIDE
7	409S17001	螺钉	2	SM104095TP	SCREW M4 L=9
8	40909002	分线器滑座	1	26013409	YOKE SLIDE INSERT
9	40912022	分线器	1	26013805	YOKE SLIDE
10	4090500100	环形定位杆	1	B1230-372-0A	ASSY LOOP POSITIONING FINGER L
11	40903003	滚珠	1	B1232-372-00	LOOP POSITIONNING FINGER CAM RO
12	409S20008	轴位螺钉	1	SD0640246SP	HINGE SCREW D=6.35 H=2.4
13	401S14001	螺钉	1	SM8061010TP	SCREW
14	××××	针板组件	1	B12413770B0	THROAT PLATE SET
15	40901005	针板	1	B12413770A0	THROAT PLATE ASM.
18	40919003	定刀	1	B2410377000	COUNTER KNIFE
19	409S11011	螺钉	2	SS7080310SP	SCREW1/8-44 L=3.0
20	4091900100	动刀	1	B24063730A0	MOVING KNIFE ASM.
21	409S20009	螺钉	1	SD0600095TH	HINGE SCREW D=6 H=0.85
22	××××	分线三角凸轮	1	40041106	ASSY LOOP POSITIONING FINGER C
23	40910001	分线三角凸轮	1	26003103	LOOP POSITIONING FINGER CAM
24	409S14002	螺钉	2	SS8110410TP	SCREW 11/64-40 L=3.5
25	××××	连接轴组件	1	40037482	ASSY CAM AND LOOPER SLEEVE
26	40902006	连接轴	1	26015503	CAM AND LOOPER SLEEVE
27	409S15004	螺钉	2	SS8150410TP	SCREW 15/64-28 L=4.0
28	40910001	后凸轮	1	B1228372000	LOOP POSITIONGNING FINGER CAM RE
29	409S14002	螺钉	2	SS8110310SP	SCREW 11/64-40 L=2.8
30	40903004	下轴前套	1	26015305	LOOPER SHAFT BUSHING FRONT
31	401S14001	螺钉	1	SM8061010TP	SCREW
32	40902026	下轴	1	40038111	LOOPER SHAFT
33	××××	挡圈组件	1	CS111101KSH	THRUST COLLAR ASM, D=11.11, W=1
34	40908001	挡圈	1	CS1111019SH	THRUST COLLAR ASM, D=11.11, W=10
35	409S14003	螺钉	1	SS8660512TP	SCREW 1/4-40 L=5
36	409S14003	螺钉	1	SS8660512TP	SCREW 1/4-40 L=5
37	40925002	下轴齿轮	1	B12243720A0	LOOPER SHAFT DRIVER GEAR ASM.
38	409S14001	螺钉	2	SS8660612TP	SCREW 1/4-40 L=6
39	40928004	推力球轴承	1	B1215372A00	THRUST BALL BEARING
40	40903005	下轴后套	1	26013102	LOOPER SHAFT BUSHING REAR
41	××××	蜗轮蜗杆组件	1	B1221373NA0	WORM WHEEL ASM.
42	40925009	蜗杆	1	B1221373N00	WORM
43	409S14003	螺钉	2	SS6660712TP	SCREW 1/4-40 L=7
44	40925001	蜗轮蜗杆组件	1	B1220372000	CAM SHAFT ASM.
45	409S14003	螺钉	2	SS8606612TP	SCREW 1/4-40 L=6
46	40917001	线钩	1	B1239372000	LOOPER
47	409S11009	螺钉	3	SM1040950TP	SCREW M4 L=9

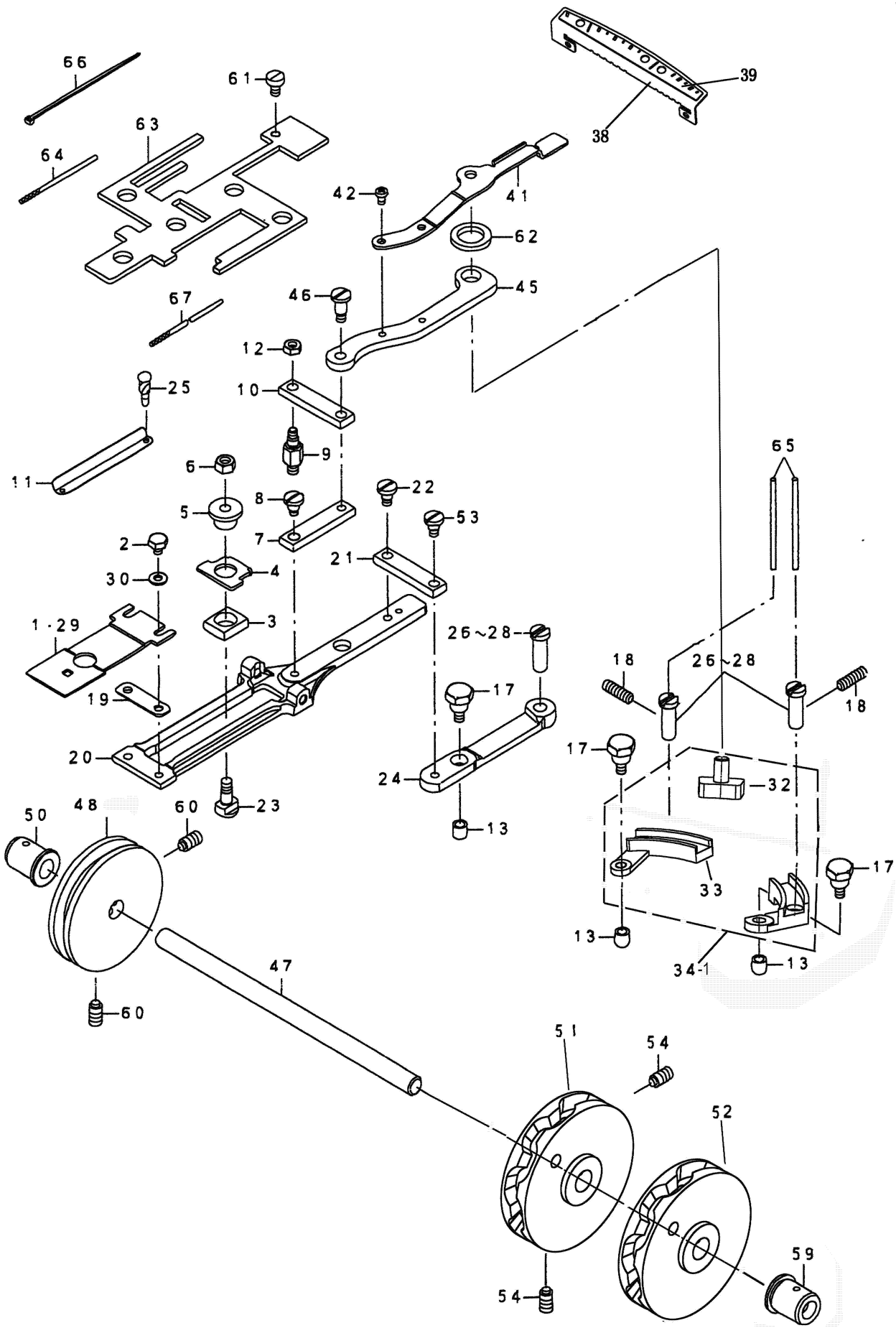
4. 绕线和过线部件 NIPPER & THREAD TENSION PARTS COMPONENTS



第四部件 绕线和过线部件

序号	零件件号	名称	数量	同类编号	DESCRIPTION
1	409S11013	螺钉	1	SM4061255SP	SCREW M6 L=12
2	40912024	针杆防护罩	1	B1421-372-00	NEEDLE BAR GUARD
3	409S20010	轴位螺钉	1	SD0791276TP	SHOULDER SCREW
4	409S16005	螺母	2	NM6030001SN	NUT
5	409S16006	松线螺母	1	26020602	NUT
6	4091202500	导线装置	1	26000950	NIPPER COMPL
7	409S20011	松线销	1	26020503	LOOPER SHAFT BUSHING REAR
8	40927007	夹线杆拉伸弹簧	1	B2037-372-00	NIPPER BAR BLOCK SPRING
9	409S30004	弹簧销	1	B1236-372-00	NIPPER BAR BLOCK SPRING SCREW
10	409S20012	螺钉	1	SD0402001TP	HINGE SCREW D=4 H=20
11	40927008	夹线座弹簧	1	26020404	HIPPER SLIDE BLOCK SPRING
12	40909003	夹线座	1	26020305	NIPPER BLOCK
13	409S20013	螺钉	1	SD0791506TP	SHOULDER SCREW D=7.94 H=15
14	4091300400	拨线杆组件	1	26001560	THREAD PULL OFF LEVER ASM.
15	409S20014	驱动杆轴位螺钉	1	SD0790806TP	SHOULDER SCREW D=7.94 H=8
16	4091202700	夹线杆驱动杆组件	1	26000455	NIPPER BAR ACTUATING LEVER ASM.
17	40926006	过线销子	2	26020206	THREAD GUIDE PIN
18	40926007	夹线杆底座弹簧销	1	26019406	NIPPER BAR BLOCK SPRING PIN
19	409S11014	螺钉	1	SM6040800SP	SCREW
20	40928004	垫圈	2	WP0450801SP	WASHER
21	40912029	夹线杆驱动块	1	26019307	NIPPER BAR BLOCK
22	40912030	拨线杆驱动块	1	26019208	TENSION LEVER ROCKING PIECE
23	40912031	夹线杆	1	26001909	NIPPER BAR
24	409S11014	螺钉	1	SM6040800SP	SCREW
25	4091300600	第二夹线器	1	B2019-372-0A	TENSION POST ASM NO. 2
26	409S16007	调节螺母	1	B3116-372-00	TENSION NUT
27	40912032	夹线器防松盘	1	22921407	ROTATION STOPPER
28	40927009	夹线器弹簧	1	26019901	THREAD TENSION SPRING
29	40912033	松线板	1	26020107	THREAD TENSION DISK PRESSER
30	40913007	夹线板	2	26005207	THREAD TENSION NO. 1
31	409S30006	第二夹线杆	1	B2019-372-00	TENSION POST NO. 2
32	409S16008	夹线板松线杆	1	26019802	TENSION RELEASE PIN
33	40926008	螺母	1	NM6060001CP	NUT M6
34	P03009	弹性圆柱销	1	PS0300162KH	SPRING PIN 3×16
35	409S11014	螺钉	1	SM6040800SP	SCREW
36	40928004	垫圈	1	WP0450801SP	WASHER
37	40912034	释压杆	1	26019109	THREAD TENSION RELEASING LEVER
38	4091300800	第一夹线器	1	26005157	ASSY HTREAD RENSON NO. 1
39	409S16009	调节螺母	1	B3125-012-00	THREAD TENSION NUT
40	40927010	夹线器弹簧	1	26005306	FIRST THREAD TENSION SPRING
41	40913007	夹线板	2	26005207	THREAD RENSON DISK NO. 1
42	409S30007	第一夹线杆	1	B2015-372-00	THREAD RENSON POST NO. 2
43	40913009	导线器	1	26019505	THREAD GUIDE
44	40913010	第一导线器	1	26021402	THREAD GUIDE NO. 1
45	409S16024	螺母	1	NM6040002SN	NUT M4
46	409S11013	螺钉	1	SM4061255SP	SCREW M5 L=14
47	40912035	夹线杆导架	1	40038396	NIPPER BAR BEARING BLOCK
48	409S30008	夹线杆导向轴	1	B2006-372-00	ADJUSTING SCREW
49	40928005	垫圈	1	WP0550800SP	WASHER 5.5×10×0.8
50	409S11015	螺钉	1	SM7051460TP	SCREW M6 L=12
51	409S11016	螺钉	1	SM6051400SP	SCREW
52	40927011	夹线杆拉伸弹簧	1	26019000	THREAD TENSION SPRING
53	409S30009	夹线杆拉伸弹簧销	1	B2007-372-00	NIPPER BAR SPRING SCREW
54	40928006	垫圈	1	WP0450846SP	WASHER
55	409S12002	限位螺栓	1	SM9061403CP	SCREW M6 M=14
56	401S16002	螺母	1	NM6060001SE	NUT M6
57	40913012	2号导线钩	1	SM6040600SP	THREAD GUIDE
58	40928005	垫圈	1	WP0501016SD	WASHER 5×10.5×1

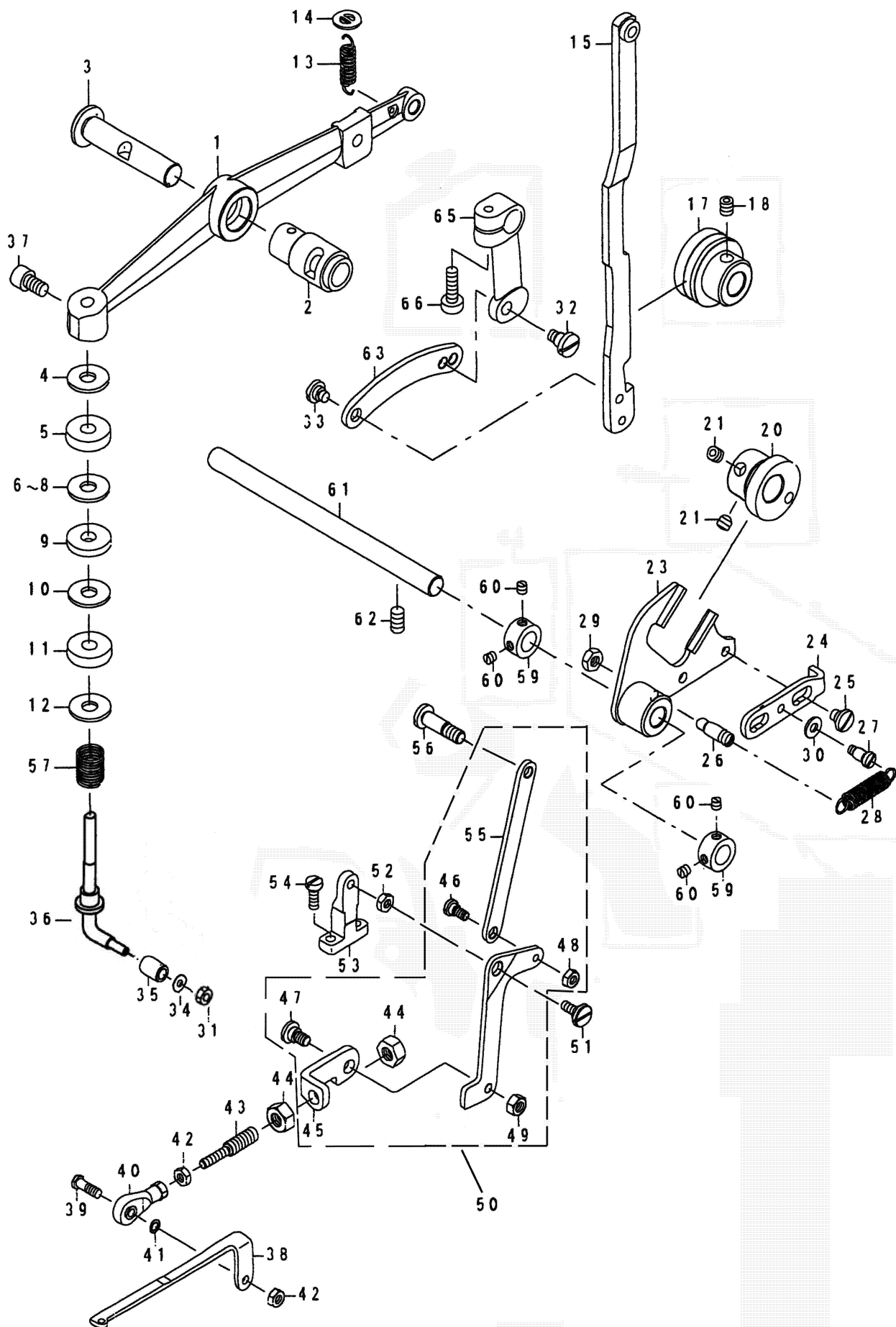
5. 送料盘部件 FEED PLATE COMPONENTS



第五部件 送料盘部件

序号	零件件号	名称	数量	同类编号	DESCRIPTION
1	40915001	送料板	1	B2529373000	FEED PLATE SMALL BUTTON
2	409S12003	螺钉	2	SS9120643TP	SCREW 3/16-28 L=6
3	40909004	交叉送料滑块	1	26024604	INDICATOR PIN BEARING BLOCK
4	40912036	交叉送料指示板	1	26024901	CROSSWISE FEED INDICATOR
5	40903010	交叉送料轴承座	1	26024703	CROSSWISE FEED INDICATOR PIN
6	409S16012	螺母	1	NM6060001CP	NUT M=6
7	400110	滑板连接杆	1	B2518-372-00	SLIDE PLATE CONNNECTING LINK
8	409S20015	轴位螺钉	1	SD0640481SP	HING SCREW D=6.35 H=4.8
9	409S30010	双头螺栓	1	40038499	STUD
10	400111	连接杆	1	B2519-372-00	INTERMEDI CONNECTING LINK
11	40937001	交叉送料刻度盘	1	40041052	CROSSWISE FEED GRADVATED PLATE
12	409S16013	螺母	1	NM6050001SP	NUT M5
13	40903012	送料凸轮滚子	2	26023200	CAM ROLL
17	409S30019	送料凸轮滚子螺栓	2	40038496	CAM ROLL SCREW STUD
18	401S14001	螺钉	1	SM8061212TP	SCREW M6×12
19	40912040	连接杆	1	26025106	SPACER PLATE
20	40901006	送料底板	1	B252373000A	FEED PLATE
21	40909006	连接杆	1	26024208	INTERMEDI CONNECTING LINK
22	409S20015	轴位螺钉	1	SD0640481SP	HING SCREW D=6.35 H=4.8
23	409S30012	交叉送料轴位螺钉	1	40038221	HING SCREW FOR CROSSWISE FEED
24	40904003	交叉送料调节杠杆	1	40038453	CROSSWISE FEED LEVER
25	R01002	铆钉	5	B1161227000	RIVET
26	40926010	送料销	1	B2509-372-00	FEED STUD A
27	40926010	送料销	1	B2509-372-00	FEED STUD B
28	40926010	送料销	1	B2509-372-00	FEED STUD C
29	40915001	送料板	1	D2529373B00A	FEED PLATE SMALLBUTTON
30	40912068	垫圈	2	WP0501016SD	WASHER 5×10.5×1
32	××××	纵向送料滑块	1	40038439	LENGTHWISE FEED LEVER SLIDE
33	××××	左送料杠杆	1	40038432	FEED LEVER L
34	400813	左右送料杠杆组件	1	40038433	FEED LEVER R
35	40912069	送料调节导向盘	2	40041061	FEED KNOB GUIDE PLATE
36	409S12006	螺钉	1	SM9050813SE	SCREW M5×0.8 L=8
38	40912070	送料盘底座	1	40038436	PLATE BASE
39	40912082	送料刻度盘	1	40038313	GRADUATE PLATE
41	40912071	调节手柄	1	40042281	HANDLE AND INDICATOR SPRING
42	403s11027	螺钉	2	SM4040655SP	SCREW M4 L=6
43	409S11003	螺钉	2	40040965	SCREW
44	40911010	把手	1	SD0640976TP	KNOB
45	40904004	调节手柄连接杆	1	40038444	INDICATOR SPRING CONNECTING LI
46	409S20016	轴位螺钉	2	40041032	SHOULDER SCREW D=6.35 H=9.7
47	40902022	凸轮轴	1	B2506373000A	CAM SHAFT
48	40910019	纵向送料凸轮	1	26022509	LENGTHWISE FEED CAM(X)
50	40903040	凸轮轴右套	1	40041033	CAM SHAFT BUSHING LEFT
51	40910006	交叉送料凸轮	1	40041025	FEED CAM ASM.
52	40910004	纵向送料凸轮	1	SD0640486TP	FEED CAM ASM.
53	409S20035	轴位螺钉	1	SS8681412TP	SHOULDER SCREW D=6.35 H=4.8
54	401S14001	螺钉	2	40042081	SCREW 9/32-28 L=13.5
59	40903039	凸轮轴右套	1	26022400	CAM SHAFT BUSHING RIGHT
60	401S14001	螺钉	4	SS8681412TP	SCREW 9/32-28 L=13.5
61	409S11005	螺钉	1	SM6050800SP	SCREW M5 L=8
62	40923014	油毡	1	40041045	OIL RETAINING FELT
63	40923015	油毡	1	40041044	FEED SHOULDER SCREW FELT
64	40923008	油线	0.06	CQ252000000	OIL WICK
65	40923008	油线	0.06	CQ3000000F0	OIL FELT
66	40111005	扎带	4	EA9500B0100	CABLE BAND
67	40923008	油线	0.3	CQ252000000	OIL WICK

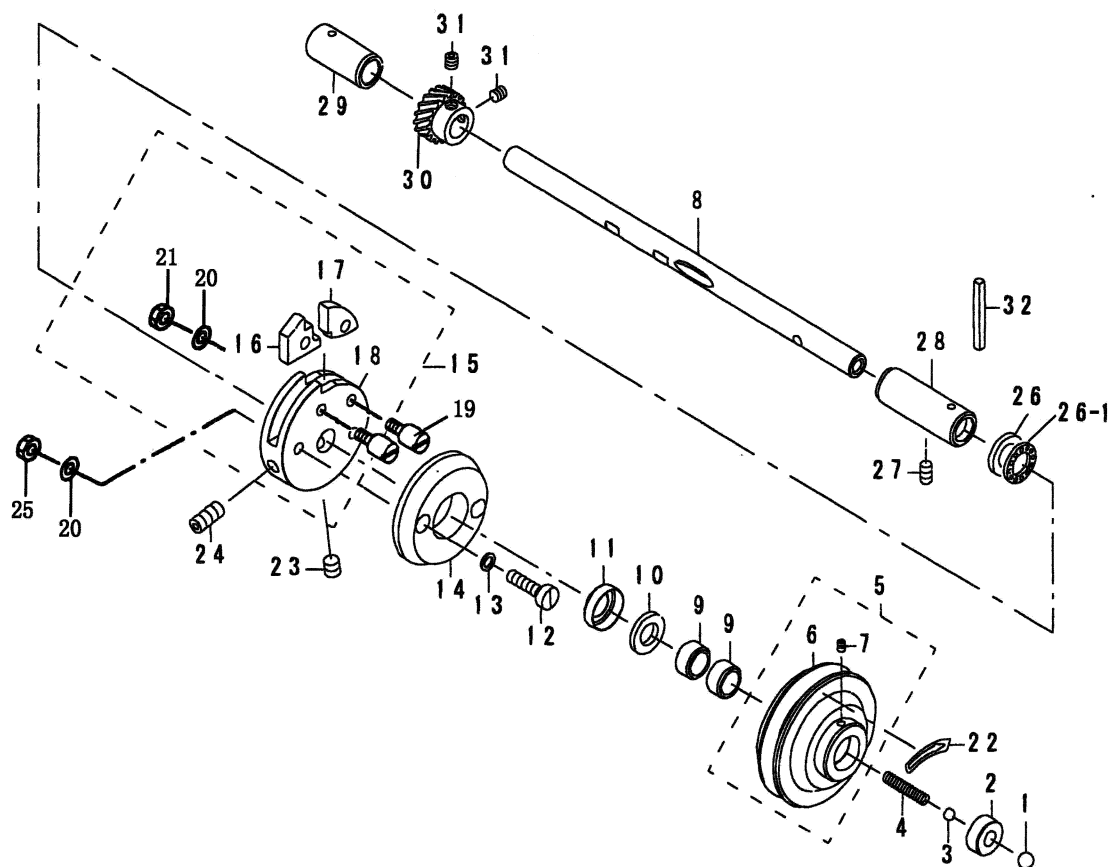
6. 钮钳提升机构部件 BUTTON CLAMP LIFTER COMPONENT



第六部件 钮钳提升部件

序号	零件件号	名称	数量	同类编号	DESCRIPTION
1	40901008	拾压杠杆	1	40038119	LIFTING LEVER
2	40903016	轴套	1	26018101	BUSHING
3	40902009	针棒杠杆轴	1	40038116	NDDELE BAR LEVER
4	40928014	垫圈	1	WP0851216SC	WASHER 8.5×18.0×1.2
5	40922001	橡胶垫	1	B4420373000	CUSHION
6	40928014	垫圈	1	WP0851216SC	WASHER 8.5×18.0×1.2
7	40928014	垫圈	1	WP0751576SD	WASHER 7.5×19×1.5
8	40928014	垫圈	1	10510808	WASHER
9	40928014	垫圈	1	WP0751576SD	WASHER 7.5×19×1.5
10	40928014	垫圈	1	WP0751576SD	WASHER 7.5×19×1.5
11	40922001	橡胶垫	1	B4420373000	CUSHION
12	40928014	垫圈	1	WP0703516SP	WASHER 7×20×3.5
13	40927012	弹簧	1	26033407	SPRING
14	40912032	垫圈	1	26033308	WASHER
15	40912041	钮夹提升连接杆	1	B4411372000	BUTTON CLAMP LIFTING LINK SET
16	××××	滑动滚筒	1	40040962	ASSY SLIDING ROLLER
17	40903018	滑动滚筒	1	40040953	SLIDING ROLLER
18	409S14001	螺钉	1	SM8060612TP	SCREW M6 L=6
19	××××	偏心轮	1	40038321	ECCENTRIC CAM
20	40910020	偏心轮	1	40038398	ECCENTRIC CAM
21	401S16002	螺钉	2	SM8060412TP	SCREW
22	4090902200	钮夹提升叉组件	1	40038146	BUTTON CLAMP LIFTING LINK SET
23	40909023	钮夹提升叉	1	40040966	BUTTON CLAMP LIFTING LINK
24	40912073	止动杆	1	40038149	LIFTING HOOK
25	409S11032	螺钉	2	SD0640276TP	SHOULDER SCREW D=6.35 H=2.7
26	40926012	弹簧挂销	1	40040963	TENSION SPRING RACK B
27	40926013	弹簧挂销	1	SD0500726TP	SHOULDER SCREW D=5 H=7.2
28	40927020	弹簧	1	40038150	LIFTING HOOK SPRING
29	413S16004	螺母	1	NM6050001SP	NUT M5
30	40928005	垫圈	1	WP0410846SC	WASHER
31	409S13003	螺母	1	SM6030402TP	NUT 9/64-40
32	409S20015	轴位螺钉	1	SD0640481SP	HINGE SCREW D=6.35 H=4.8
33	409S20019	轴位螺钉	1	SD0640211SP	HINGE SCREW D=6.35 H=2.1
34	40928021	垫圈	1	WP0330501SB	WASHER
35	40903032	滚珠	1	40038283	L TYPE LIFTING BAR ROLLER
36	4090201100	钮夹提升钩	1	260-00653	BUTTON CLAMP LIFTING ROD A
37	S05023	螺钉	1	SM6061002TP	SCREW M6 L=10
38	40912042	切线连杆	1	40038428	CONNECTING LINK FRONT
39	L01002	螺钉	1	2602202	JOINT STUD
40	4030500500	切线连接球体	1	B1632180000	FEED ADJUSTING JOINT
41	40928010	垫圈	1	WP0510516SD	WASHER 5.1×7.5×0.5
42	N01004	螺母	2	NM6050001SP	NUT M5
43	409S30013	双头螺栓	1	40038219	CONNECTING SCREW
44	409S16015	螺母	2	NM6080021SP	NUT M8 TYPE1
45	40912043	切线后拉杆	1	40038429	CONNECTING LINK REAR
46	409S20020	轴位螺钉	1	SD0640323TP	HINGE SCREW D=6.35 H=3.2
47	409S20021	轴位螺钉	1	SD0790402TP	HINGE SCREW D=7.94 H=4
48	409S16016	螺母	1	NS6620310SP	NUT 3/16-32
49	409S16017	螺母	1	NS6150310SP	NUT 15/64-28
50	40912044	切线杠杆	1	40038397	THREAD TRIMMING LEVER
51	409S20022	轴位螺钉	1	SD0790316TP	SHOULDER SCREW D=7.94 H=3.1
52	409S16018	螺母	1	NM6050001SP	NUT M5
53	40901009	切线杠杆座	1	40038495	THREAD TRIMMING LEVER BASE
54	409S11021	螺钉	2	SM7051460TP	SCREW M5 L=14
55	40905006	切线连杆	1	26021709	THREAD TRIMMING LINK
56	409S20023	轴位螺钉	1	SD0641322TP	HINGE SCREW D=6.35 H
57	40927013	弹簧	1	26033605	SPRING
58	××××	挡圈	2	CS0950810SH	THRUST COLLAR ASM. D=9.5 W=8
59	40908003	挡圈	1	CS0950816SH	THRUST COLLAR D=9.5 W=9
60	409S14002	螺钉	2	SS8110410TP	SCREW 11/64-40 L=3.5
61	40902023	杠杆轴	1	40038445	LEVER SHAFT
62	401S14001	螺钉	2	SM8061010TP	SCREW
63	40905003	钮夹提升连杆连接杆	1	26032508	LIFTING LINK
64	××××	钮夹提升连杆连接杆	1	40038414	LIFTING PLATE ROD ASM
65	40904001	钮夹提升连杆连接杆	1	40038413	LIFTING PLATE GUIDE ROD
66	409S11020	螺钉	1	SM6051600SP	SCREW M5 L=6

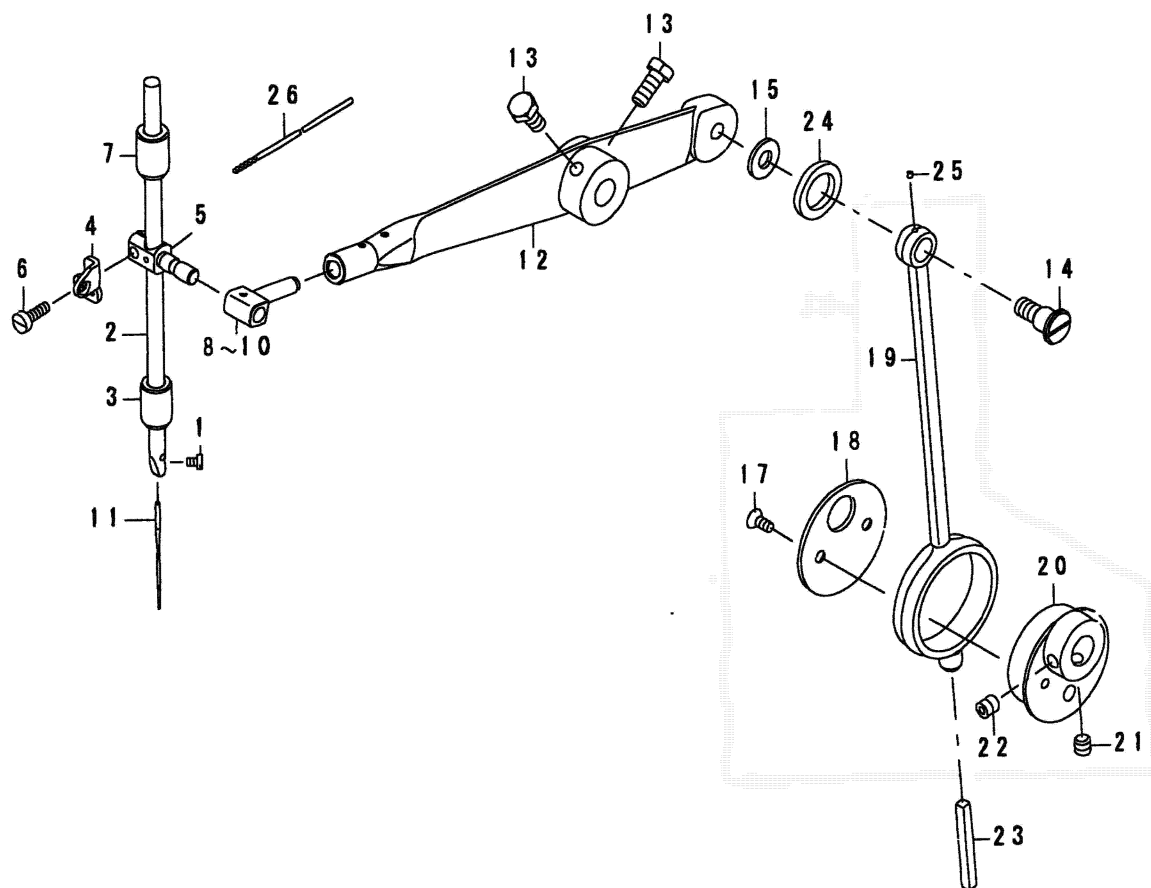
7. 驱针滑轮轴部件 NEEDLE DRIVING PULLEY SHAFT COMPONENTS



第七部件 推针滑轮轴部件

序号	零件件号	名称	数量	同类编号	DESCRIPTION
1	40909011	大滚珠	1	B1203372000	BALL LARGE
2	40909012	滑轮镶套	1	26012401	PULLEY INSERT
3	40909013	小滚珠	1	B1246-372-000	BALL SMALL
4	40927014	弹簧	1	26012500	SPRING
5	××××	滑轮组件	1	B1202-372-000	DRIVING PULLEY ASM.
6	40935001	滑轮	1	B1202-372-000	DRIVING PULLEY
7	409S14002	螺钉	1	SM8040612TP	SCREW
8	40902024	滑轮轴	1	40038449	NEEDLE DRIVING PULLEY SHAFT
9	40924002	滚针轴承	2	B1243372000	NEEDLE BEARING
10	40923005	油毡	1	26012609	GRESAE RETAINING WICK
11	40912045	密封圈	1	26012708	RETAINING WASHER
12	409S11022	螺钉	2	SM6062450TP	SCREW M6 L=23.5
13	40928011	垫圈	2	WP0621026SP	WASHER 6.2×9.5×1
14	4092200200	滑轮离合器	1	B1208372000	NEEDLE DRIVING PULLEY CLUTCH D
15	4091001300	停车盘组件	1	40038137	STOP MOTION DISC ASM.
16	40909014	停车块A	1	40038135	STOP MOTION DISC LATCH A
17	40909015	停车块B	1	40038136	STOP MOTION DISC LATCH B
18	40910008	停车盘	1	40038138	STOP MOTION DISC
19	409S20024	停车块销	2	40038139	STOP MOTION PAWL SHAFT
20	××××	停车垫圈	1	40038140	STOP MOTION DISC WASHER
21	401S16002	螺母	1	SM6060550TP	SCREW M6 L=4.5
22	40937002	方向标签	1	CM500200001	DIRECTION LABEL
23	409S14009	螺钉	1	SM8080812TP	SCREW M8×8
24	409S14010	螺钉	1	SM8081752TP	SCREW M8 L=17
25	401S16002	螺母	2	NM6060003SP	NUT M6 TYPE3
26	40924001	轴承垫圈	1	B1215372B00	THRUST BALL BEARING
27	401S14001	螺钉	1	SM8061010TP	SCREW
28	40903033	滑轮轴右套	1	40038461	PULLEY SHAFT BUSHING RIGHT
29	40903034	滑轮轴左套	1	40042148	PULLEY SHAFT BUSHING LEFT
30	40925004	滑轮轴齿轮	1	B12173820BA	DRIVING GEAR (A) ASM.
31	409S14001	螺钉	2	SS88660612TP	SCREW 1/4-40 L=6
32	40923008	油线	1	26018309	OIL WICK

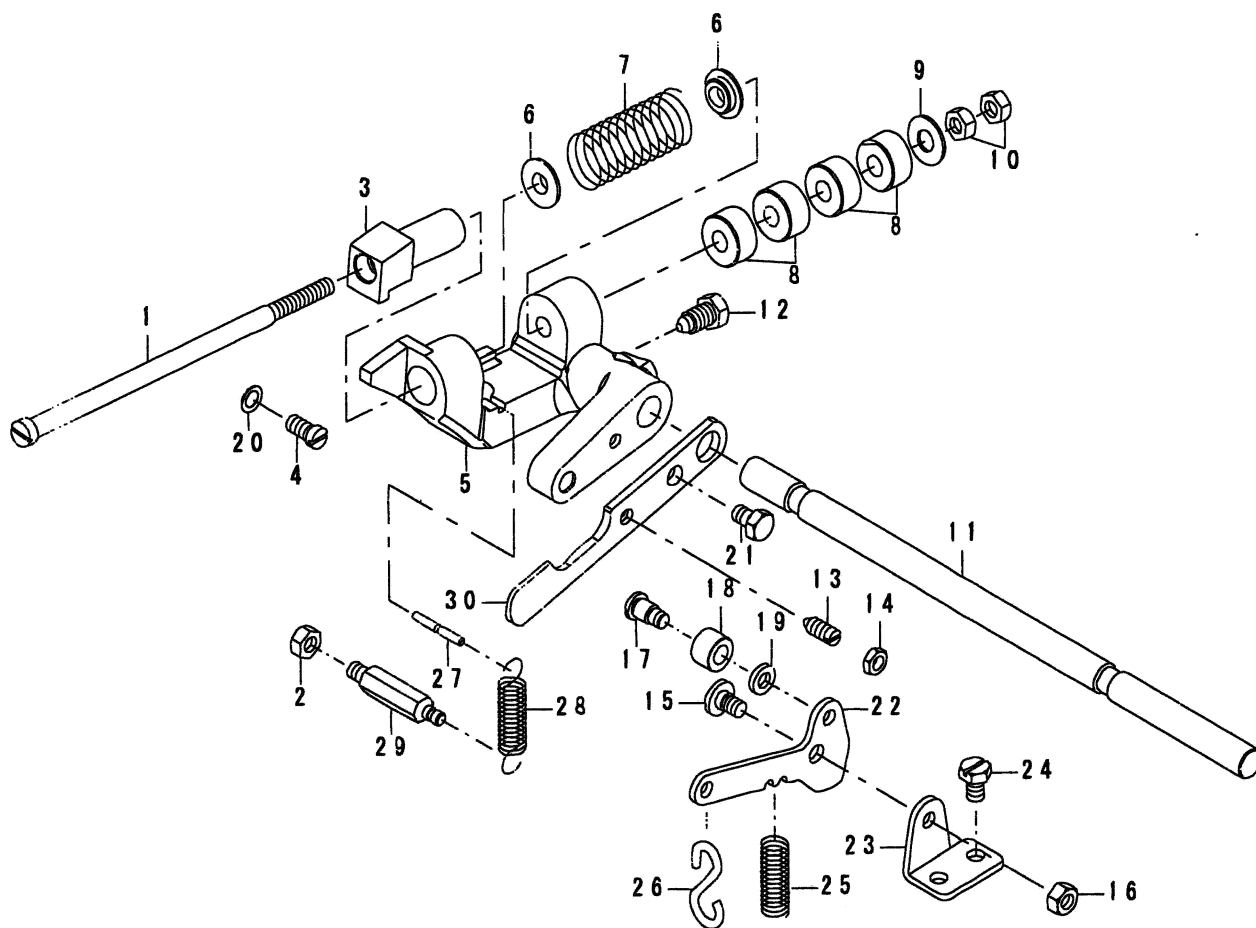
8. 针杆驱动部件 NEEDLE BAR DRIVING MECHANISM COMPONENTS



第八部件 针杆驱动机构部件

序号	零件件号	名称	数量	同类编号	DESCRIPTION
1	101S11006	螺钉	1	SS7080510TP	SCREW 1/8-44 L=4.5
2	40902027	针杆	1	14606107	NEEDLE ROD
3	40903026	针杆下套	1	26017707	NEEDLE BAR BUSHING LOWER
4	40913013	导线	1	40040951	NEEDLE BAR BALACE
5	40909016	针杆轴承杆座	1	40040952	NEEDLE BAR CLAMP
6	409S11024	螺钉	1	SM6041200SP	SCREW M4 L=12
7	40903035	针杆上套	1	40038142	NEEDLE BAR BUSHING UPPER
8	40909016	针杆轴承座	1	40038120	NEEDLE BAR SLIDE BLOCK A
9	-----	针杆轴承座	1	40038121	NEEDLE BAR SLIDE BLOCK B
10	-----	针杆轴承座	1	40038122	NEEDLE BAR SLIDE BLOCK C
11	41017004	机针	1	MTQ100B1600	NEEDLE TQ×1 #16
12	40905007	针杆杠杆	1	40038117	NEEDLE BAR DRIVING LEVER
13	L02008	螺钉	2	SM9061403CP	SCREW M6 L=14
14	409S20025	轴位螺钉	1	SD0950804TP	SHOULDER SCREW D=9.53 H=8
15	40928013	垫圈	1	26018705	WASHER
16	-----	连杆组件	1	26018457	CRANK ROD ASM.
17	409S11009	螺钉	2	SS2110920TP	SCREW 11/64-40 L=8.5
18	40912046	盖板	1	26018606	THRUST HOLDER
19	40905009	连杆	1	26018408	CRANK ROD
20	40910009	偏心轮	1	26018507	ECCENTRIC CAM
21	40910009	螺钉	1	SS8660612TP	SCREW 1/4-40 L=6
22	409S14001	螺钉	1	SS5660942TP	SCREW 1/4-40 L=8.5
23	40923008	油线	1	26018309	OIL WICK
24	40923014	油毡	1	40041045	OIL RETAINNING FELT
25	40923008	油线	0.01	CQ2500000F0	OIL WICK
26	40923008	油线	0.1	CQ202000000	OIL WICK

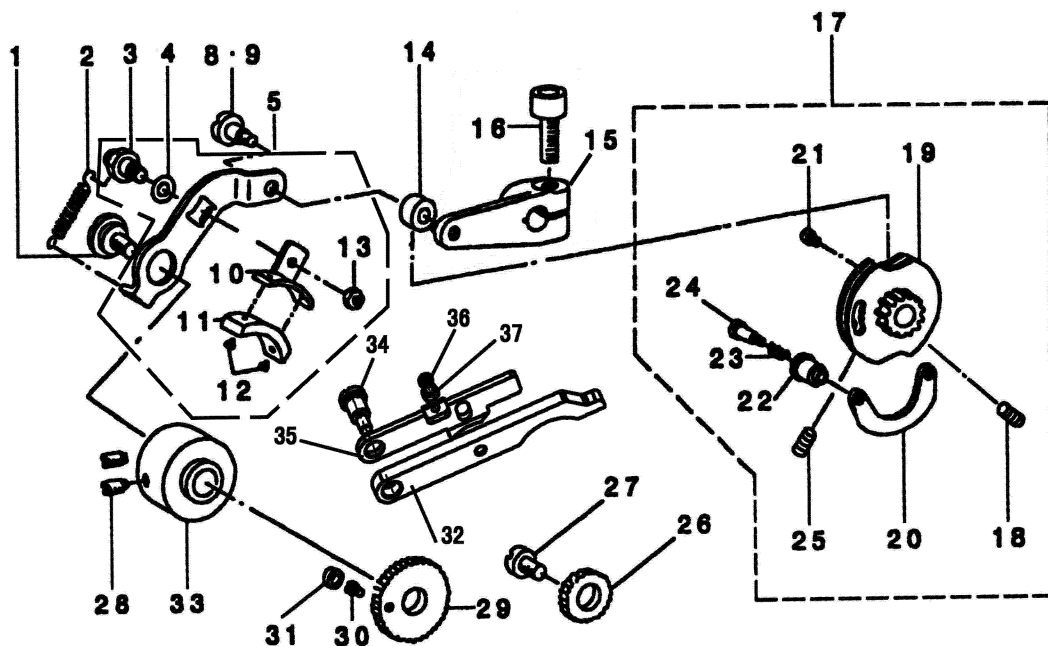
9. 停车部件 STOP MOTION MECHANISM COMPONENTS



第九部件 止动机构部件

序号	零件件号	名称	数量	同类编号	DESCRIPTION
1	409S30014	止动杆	1	26027805	STOP MOTION PLUNGER ROD
2	409S16020	螺母	1	NM6060003SP	NUT M6 TYPE3
3	40909025	止动块	1	40038118	CROSSING HOOK
4	409S11025	螺钉	1	SM6061150TP	SCREW M6 L=11
5	400114	止动座	1	B2602372000A	STOP MOTION PLUNGER LEVER
6	40928014	垫圈	2	26229104	WASHER
7	40927019	弹簧	1	40038110	STOP MOTION SPRING
8	40922004	橡胶垫圈	4	B2608280000	RUBBER CUSHION
9	40928022	垫圈	1	26030601	WASHER
10	409S16021	螺母	2	NS6680410SP	NUT 9/32-28
11	40902025	止动杆轴	1	40038448	STOP MOTION SHAFT
12	409S12006	螺栓	1	40042437	SCREW
13	409S15009	螺钉	1	SS8151570SP	SCREW 15/64-28 L=15.0
14	402S16003	螺母	1	NS6150310SP	NUT 15/64-28
15	409S20034	螺钉	1	SD0680276TP	SHOULDER SCREW D=6.8 H=12.7
16	413S16005	螺母	1	NM6060001CP	NUT M6
17	409S20033	轴位螺钉	1	SD0710706TP	SHOULDER SCREW D=7.14 H=7
18	40903036	滚珠	1	26029207	STITCH ADJUSTING ROLLER
19	40912075	垫圈	1	WP0612066SP	WASHER 6.1×11×2
20	40912076	垫圈	1	26019604	WASHER
21	L02009	螺钉	1	SM9061003CP	SCREW M6 L=10
22	40912078	启动控制杆	1	40038160	STOP MOTION TRIP LEVER
23	40912079	启动控制杆座	1	26028308	STOP MOTION TRIP LEVER BRACKET
24	L02009	螺栓	2	SM9061250TP	SCREW M6 L=10
25	40927015	弹簧	1	22924906	OIL REGULATOR SCREW SPRING
26	30131018	挂钩	1	13160304	S SHAPED HOOK
27	40926011	弹簧挂销	1	26028001	STOP MOTION LEVER SPRING PIN
28	40927016	弹簧	1	40038410	STOP MOTION LEVER SPRING
29	409S30015	弹簧挂销	1	40040940	SCREW STUD
30	40912049	停车压力杆	1	B2611373N00	PRESSURE APPLYING LEVER

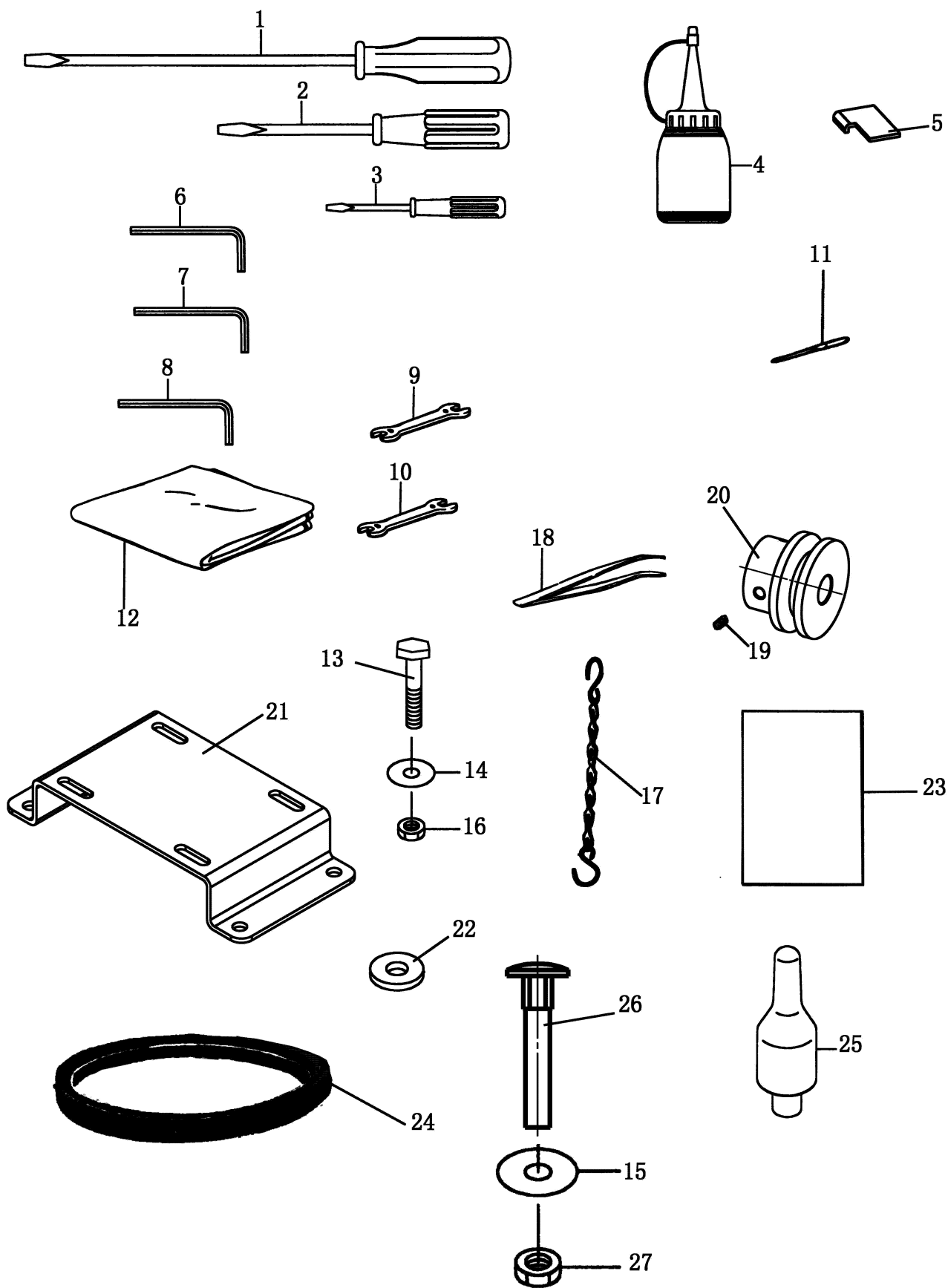
10. 选线部件 Stitch selecting parts components



第十 部件 选线部件

序号	零件件号	名称	数量	同类编号	DESCRIPTION
1	409S20028	螺钉	1	SD-1127321-S	HINGE SCREW D=12.7 H=3.2
2	40927017	弹簧	1	B2643-372-00	SPRING FOR FRICTION PLATE
3	40902016	螺钉	1	B2638-372-00	FRICTION PLATE ROTATING SHAFT
4	40928015	垫圈	1	WP-0850002-S	WASHER 8.5×18×1.6
5	40912050	减速杆	1	B2636-372-00	SPEED SLOWING LEVER
8	409S20029	螺钉	1	SD-0791331-S	HINGE SCREW D=7.94 H=13.3
10	40912051	摩擦片座	1	B2639-372-00	FRICTION PLATE HOLDER
11	40912052	减速摩擦片	1	B2640-372-00	SPEED SLOWING FRICTION PLATE
12	R01001	铆钉	2	B3211-232-00	POSITIONING PIN
13	409S16023	螺母	1	NS-6110310-S	NUT 11/64-40
14	40903028	止动凸轮滚碾	1	B2619-372-00	STOP MOTION TRIPPING LEVER CAM
15	40904002	止动分离杆	1	B2618-372-0A	STOP MOTION TRIPPING LEVER ASM
16	S05024	螺钉	1	SM-6082502-T	SCREW M8 L=25
17	40910010	止动凸轮	1	B2621-372-0B	STOP MOTION CAM ASM.
18	401S14001	螺钉	2	SS-8150912-T	SCREW 15/64-28 L=9
19	40910011	止动凸轮	1	××××	STOP MOTION CAM SHOE
20	40912053	止动凸轮底板	1	××××	STOP MOTION CAM SHOE
21	409S20030	螺钉	1	××××	SCREW FOR STOP MOTION CAM SHOE
22	40903029	止动凸轮旋钮	1	××××	STOP MOTION CAM KNOB
23	40927018	弹簧	1	××××	SPRING
24	409S20031	螺钉	1	××××	HINGE SCREW D=4.8 H=14.5
25	401S14001	螺钉	1	SS-8150912-T	HINGE SCREW D=7.94 H=4.3
26	40925007	选线齿轮	1	B2629-372-00	STITCH SELECTING SPUR GEAR MI
27	409S11026	齿轮轴	1	B2628-372-00	INTERMDIATE GEAR SHAFT
28	401S14001	螺钉	2	SS-8150912-T	SCREW 15/64-28 L=10.5
29	40925008	选线齿轮	1	B2630-372-00	GEAR, LAGRE
30	409S11027	螺钉	1	B2631-372-00	SCREW
31	40903030	滚圈	1	B2632-372-00	ROLL
32	40912056	选线杆	1	××××	STITCH ADJUSTING LEVER
33	40910012	减速摩擦轮	1	××××	SPEED SLOWING FRICTION WHEEL
34	409S20032	轴位螺钉	1	××××	HINGE SCREW D=7.94 H=9.1
35	40912057	调整板	1	××××	ADJUSTING PLATE
36	409S11030	螺钉	1	××××	SCREW
37	409S16024	螺母	2	××××	NUT 1/8-40

11. 附件组件 ACCESSORY PARTS COMPONENTS



第十一部分 附件组件

序号	零件件号	名称	数量	同类编号	DESCRIPTION
1	10131002	螺丝刀 (大)	1	-----	SCREW DRIVER LARGE
2	10131003	螺丝刀 (中)	1	-----	SCREW DRIVER MIDDLE
3	10131004	螺丝刀 (小)	1	-----	SCREW DRIVER SMALL
4	20131038	小油壶 (尖嘴)	1	-----	OILER
5	40931019	定位尺	1	-----	GAUGE
6	30131010	内六角扳手 (3mm)	1	-----	INNER WERNCH 3mm
7	30131012	内六角扳手 (4mm)	1	-----	INNER WERNCH 4mm
8	20131047	内六角扳手 (5mm)	1	-----	INNER WERNCH 5mm
9	30131006	扳手 (8mm~10mm)	1	-----	Wrench 8mm~10mm
10	40931025	扳手 (9mm-11mm)	1	-----	Wrench 9mm~11mm
11	41017004	TQ*7 16#机针	3	-----	NEEDLE TQ×7#16-12
12	10131005	机头罩	1	-----	MACHINE COVER
13	40931009	M6×70螺钉	4	-----	SCREW M6 L=70
14	40128013	垫圈6.2×13×1	4	-----	WASHER 6.2×13×1
15	W01018	垫圈10	4	-----	WASHER
16	N01007	螺母M6	4	-----	NUT M6
17	20131054	脚踏板链	1	-----	CHAIN
18	20131051	镊子	1	-----	TWEEZERS
19	S10010	螺钉M5X10	1	-----	SCREW M5 L=10
20	40931003	电机飞轮	1	-----	MOTOR PULLEY (FOR 50HZ)
21	40931007	电机座	2	-----	MOTOR BASE
22	40931008	电机座垫	4	-----	MOTOR BASE CUSHION
23	40931028	说明书	1	-----	INSTRUCTION MANUAL & PARTS LIST
24	40931004	710型皮带	1	-----	BELT
25	40311002	支撑棒	1	-----	SUPPORT
26	40931011	马达螺钉	3	-----	MOTOR SCREW
27	401S16018	马达固定螺母M8	3	-----	NUT M8